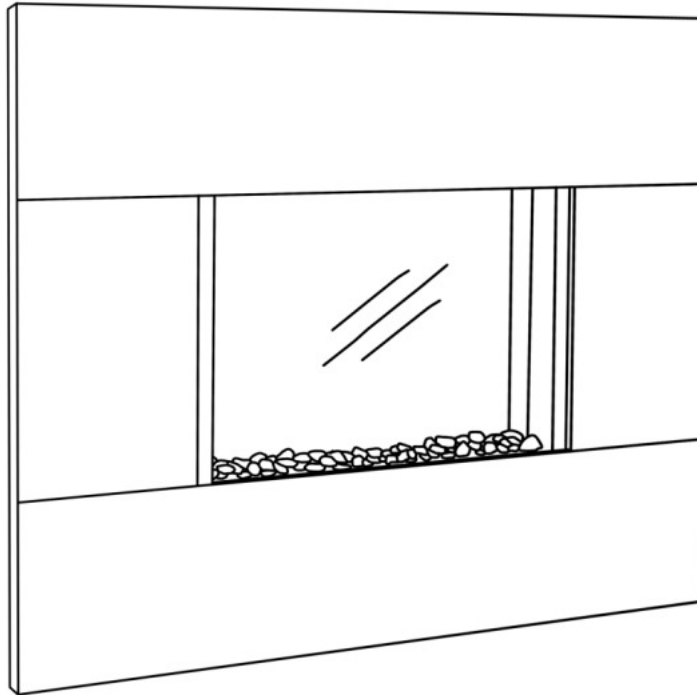


Use & Care Manual

Contemporary Electric Fires

These instructions are for your safety. Please read through them thoroughly before use and retain for future reference. Failure to follow them could cause injury and/or property damage.



Note: Styles may vary.


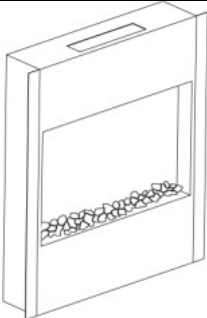
HANDLING

Before continuing any further with the installation of this fire please read the following:

- One person should be sufficient to lift the fire. If for any reason it is considered too heavy then obtain assistance.
- When lifting always keep your back straight. Bend your legs and not your back.
- Avoid twisting at the waist. It is better to reposition your feet.
- Avoid upper body / top heavy bending. Always bend from the knees rather than the waist. Do not lean forward or sideways whilst handling the heater.
- Always grip with the palm of the hand. Do not use the tips of fingers for support.
- Gloves can be used to provide additional grip.
- Always use assistance if required.


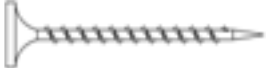

PARTS SUPPLIED

Please ensure you have ALL the correct parts before installing the unit.

Description	Illustration	Qty
Facia		x 1
Electric Fire		x 1
Fixings Pack	(See Below)	x 1

FIXING PACK

Please identify the fixings listed below and ensure you have ALL the correct fixings before installing the unit.

Description	Illustration	Qty
Pebble Pack		x 1
32mm Screw		x 3
Wall Plug		x 3

TOOLS REQUIRED

- Electric Drill (with 6mm masonry bit)
- Crosshead screw driver (Electric screwdriver recommended)
- Spirit level
- Pencil

UNPACKING THE PRODUCT

The unit is supplied in a single package carton. Carefully unpack the product using the following procedure:

- Carefully lift the product from the carton, and stand on the floor
- Remove the protective polystyrene and plastic bag from the fire
- Remove the protective cover from the fascia and the plug

Customer telephone helpline: 08448 809301
Helpline email address: helpline@adamsurrounds.co.uk

ELECTRICAL SPECIFICATIONS

Important Electrical Safety

The fire must not be located under an electrical socket; the socket must always be accessible in order to disconnect the heater from the electrical supply for maintenance and cleaning. Never cut off the plug and hard wire into a fixed fused spur.

Important!

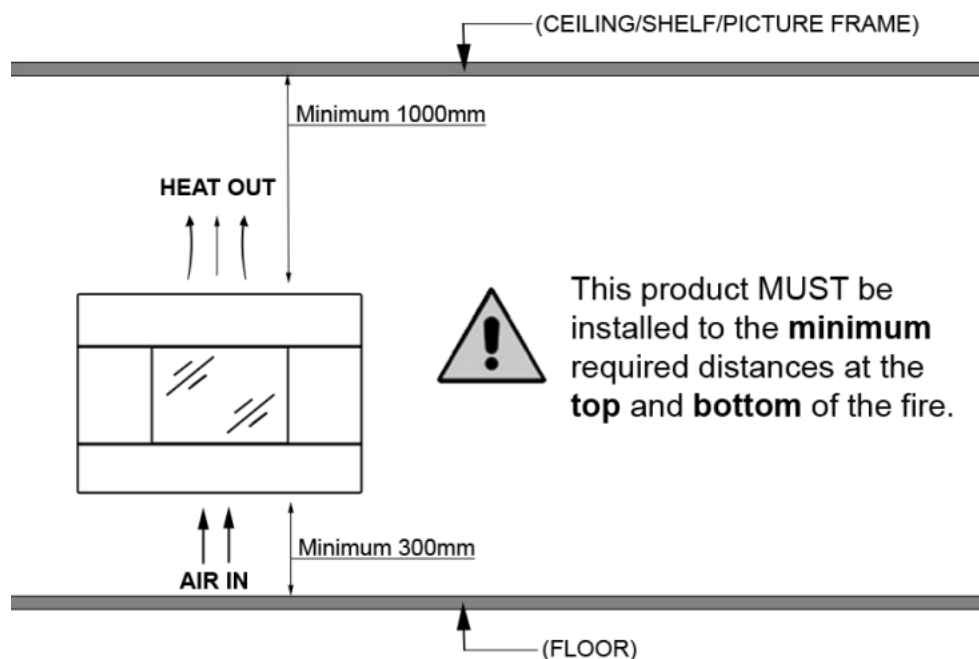
- Do not spray liquids directly onto any surface of the unit.
- This fire must be earthed. The mains supply must be safely routed from the fire to an electrical socket.
- If the supply cord is damaged, it must be replaced by the manufacturer or its service agent or a similarly qualified person in order to avoid a hazard.
- This appliance is not intended for use by persons (including children) with reduced physical, sensory or mental capabilities, or lack of experience and knowledge, unless they have had supervision or instruction concerning use of the appliance by a person responsible for their safety.
- Children should be supervised to ensure that they do not play with the appliance.
- The plug must be accessible after installation to allow for isolation in an emergency.



Warning: In order to avoid overheating, **DO NOT COVER THE HEATER**

Note: Any new wiring must be installed in compliance with local and national codes of practice and other applicable regulations in order to reduce the risk of fire, electric shock, or other injuries.

Note: When the fire is turned on for the first time, it may release a slight, harmless odour. This odour is a normal occurrence caused by the initial heating of the internal heating elements and should not occur again, unless the appliance is unused for a period of time.



CAUTIONS

Do's	• Always install the fire in accordance with this guide. If in doubt obtain expert advice.
	• Always make sure the electrical socket is accessible and located adjacent to, but not above the fire.
	• Always disconnect the fire from the electrical supply before carrying out cleaning, maintenance or replacing the light bulbs.
	• Always make sure the fire is firmly secured.
Don'ts	• Never leave children unsupervised in a room where the fire is ON and unguarded.
	• Never obstruct or cover the fan outlet or force items into fire openings.
	• Never install or use the fire anywhere where water is in use, i.e. Bathrooms, Kitchens, Shower Rooms, and Swimming Pool etc.
	• Never use aerosols or steam cleaners on or around the fire.
	• Never route the mains supply cable under carpet etc.
	• Never install the fire close to curtains or combustible materials.
	• Never use the fire to dry clothes etc.
	• Never sit or stand on the fire.
	• Do not use outdoors
	• Never cut off the plug and hard wire into a fixed fused spur.
• Do not position furniture, curtains or other combustible material closer than 1 metre from the heater.	

SAFETY CUT-OUT SYSTEM



DO NOT OBSTRUCT THE AIR VENTS OF THE ELECTRIC HEATER.

This appliance has a 'self resetting' safety cut out system, that will activate if the air inlets or outlets are obstructed. If the electric fire is obstructed, it will overheat. When the temperature exceeds 85 degrees C, the heater element will cut out, until a safe temperature is regained.



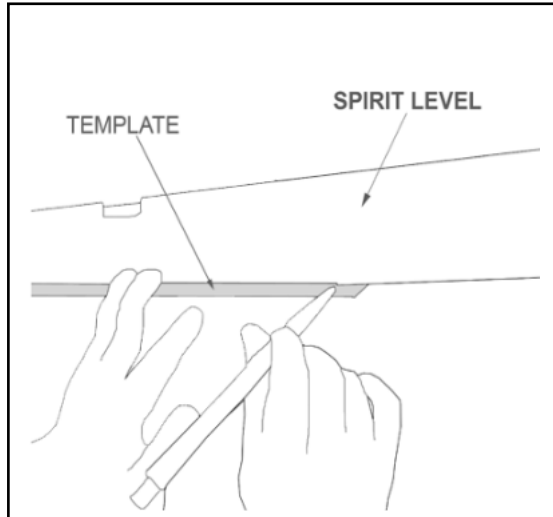
THIS PRODUCT MUST BE INSTALLED CORRECTLY. FAILURE TO DO SO MAY CAUSE DAMAGE TO YOUR PRODUCT AND/OR YOUR SURROUNDINGS



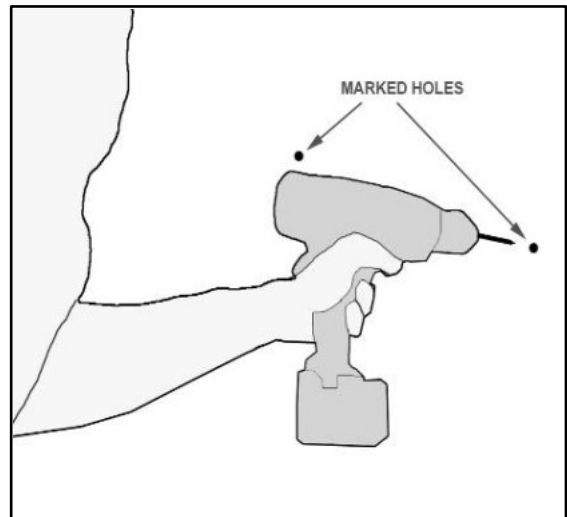
DO NOT INSET INTO A WALL OR SURROUND. THIS IS A WALL MOUNTED APPLIANCE ONLY

INSTALLATION of the hang on the wall electric fire

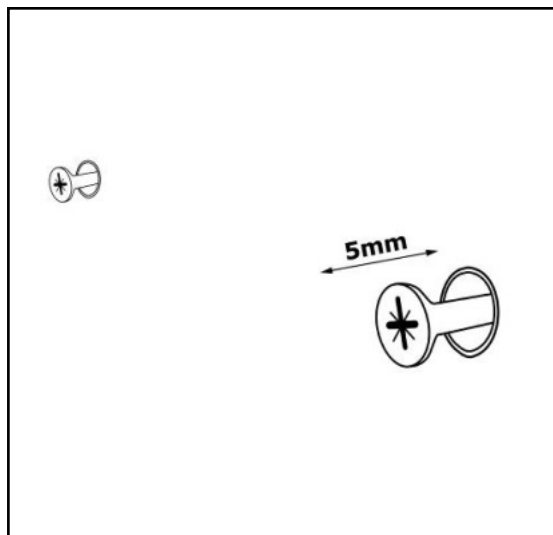
NOTE: Please take care when installing the fire as some edges may be sharp.



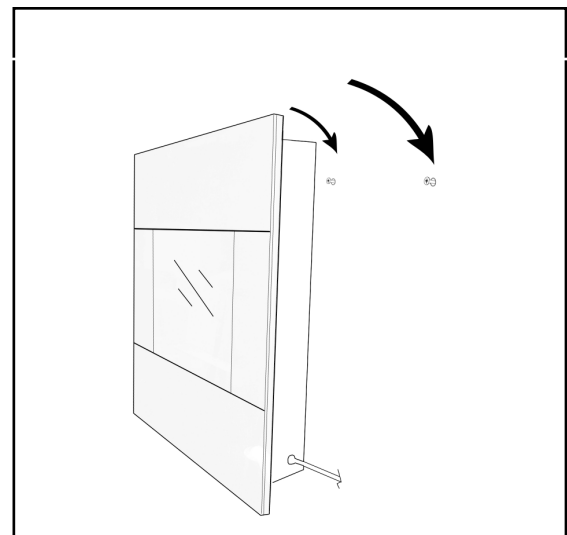
1) Using the TEMPLATE provided and a spirit level, mark through with a pencil.



2) Drill 2 holes using a 6mm drill bit, then fit the supplied wall plugs. **Note** if fitting on to plaster board, propriety wall fixings should be used (not supplied).

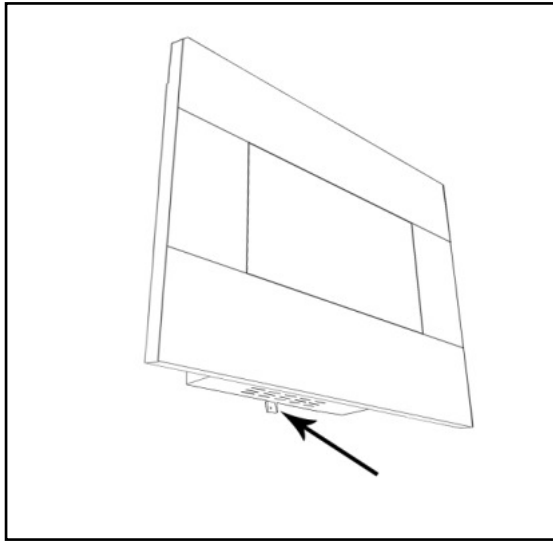


3) Insert the 2 screws, leaving 5mm (approx) proud of wall.



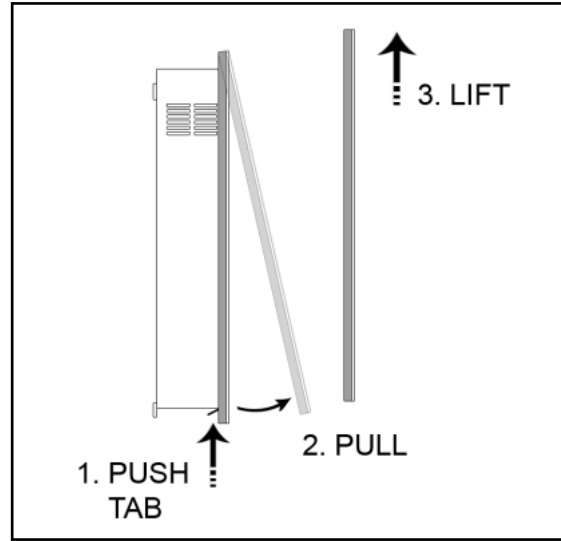
4) Hang the fire on the hooks situated on the back of the fire.

INSTALLATION of the hang on the wall electric fire - CONTINUED

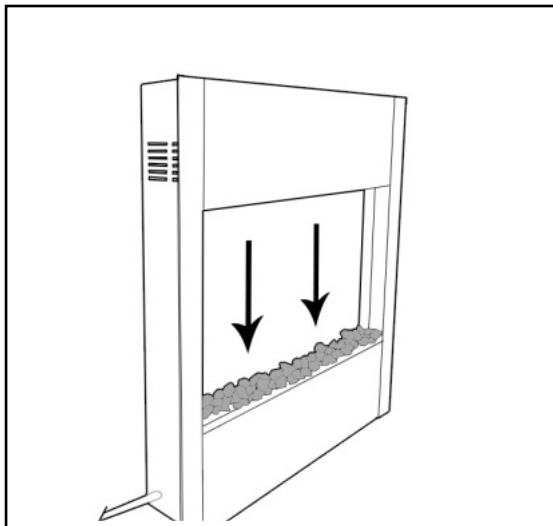


5) Mark a 3rd hole when the fire is mounted. Remove the fire, drill hole and insert the wall plug.

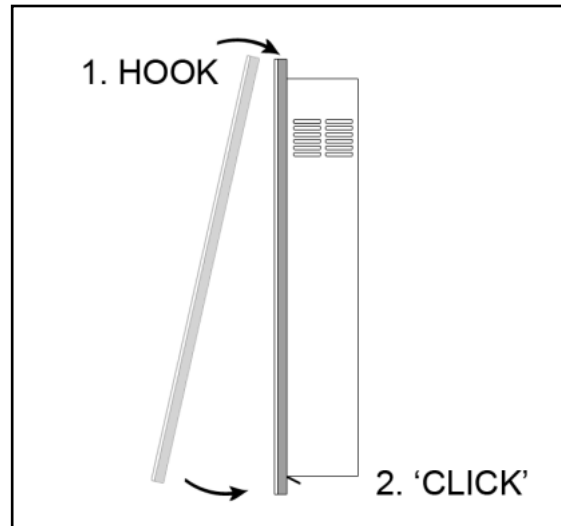
Replace the fire and insert the 3rd screw to secure.



6) PUSH the tab underneath the fire then PULL and LIFT the facia off the fire.



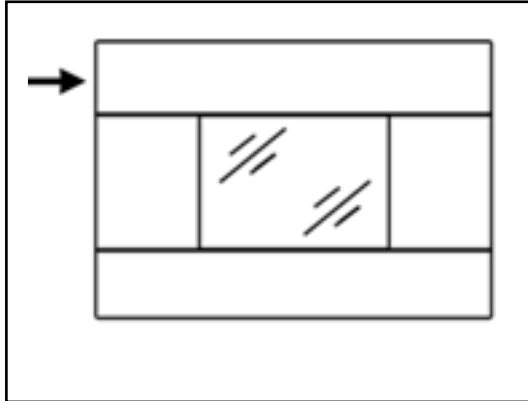
7) Randomly place the pebbles along the bed as illustrated.



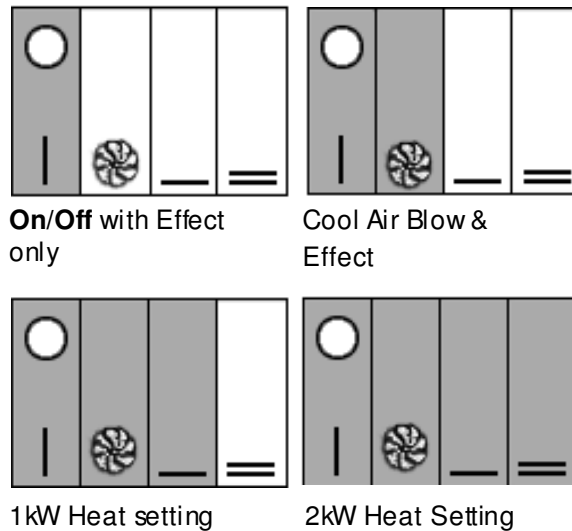
8) HOOK the facia on to the fire then CLICK to secure.

OPERATING THE FIRE

The appliance is controlled using 4 switches, located **on the top left side of the fire**. Use the following sequence to operate. The **grey** represents a 'pressed switch.'



Controls located at the top left side of the fire



MAINTENANCE

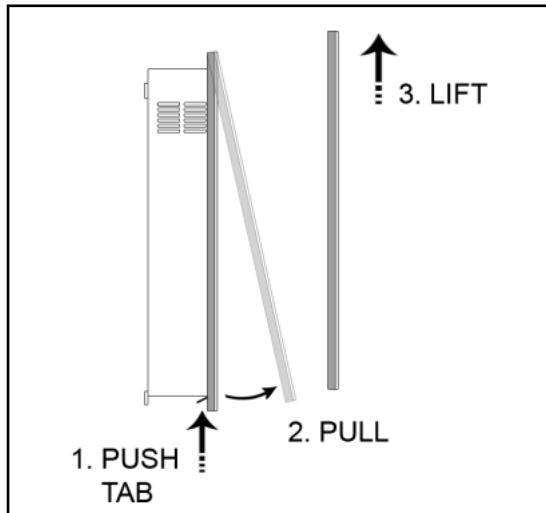
There are no specific requirements for the care of this unit, other than general cleaning.

- Other features (non-silver) can be cleaned using a damp cloth, and buff up dry with a soft cloth.
- If the cable is damaged it must be replaced by a suitably qualified person.
- The area around the fire should be kept free from animal hair, lint and other extraneous material that may be drawn into workings of the appliance and could affect its performance.

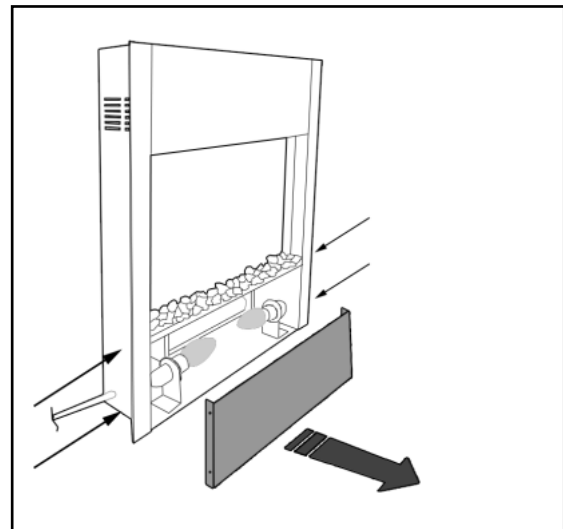
CHANGING THE BULBS

2 x 40W SES/E14 (small screw cap) candle bulbs required.

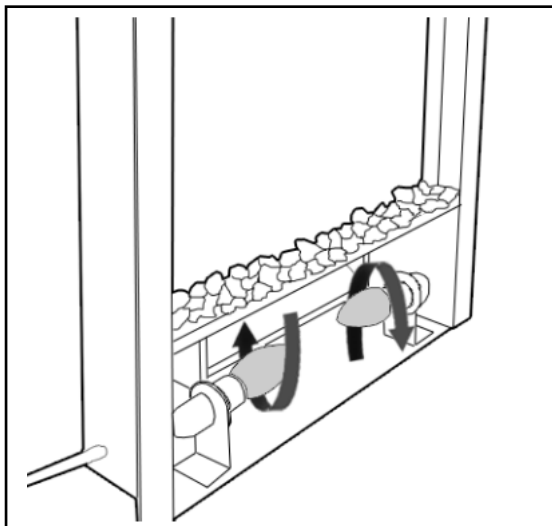
Please ensure that the electric fire is **switched off at the mains and unplugged** before attempting to change the bulbs. Allow the fire to cool down.



1) PUSH the tab underneath the fire then PULL and LIFT the fascia off the fire.

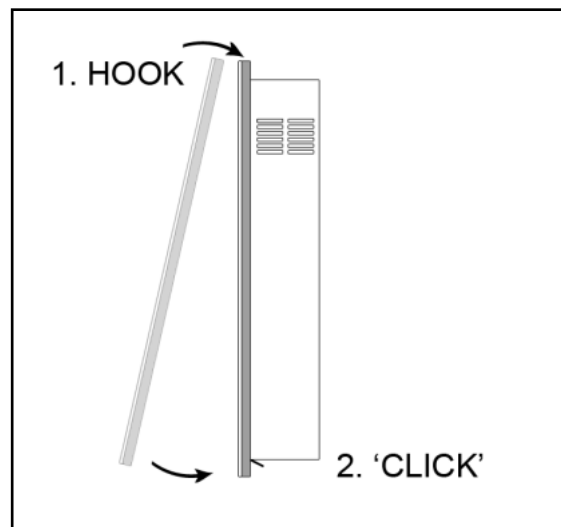


2) Remove the 2 screws on each side of the fire, then remove front panel.



3) Remove bulb/s and replace.

Replace front panel.



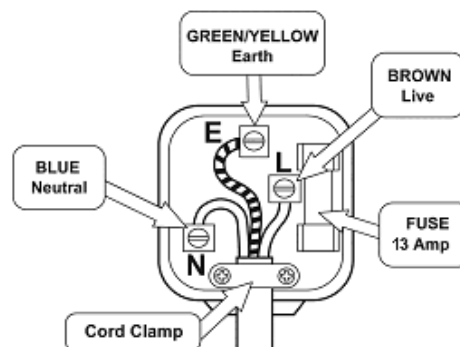
4) HOOK the fascia to the fire then CLICK to secure.

PLUG REPLACEMENT

- This appliance is supplied with a BS1363 3 pin plug fitted with a 13 Amp fuse. Should the fuse require replacement, it must be replaced with a fuse rated at **13 Amp** and approved to BS1362.
- In the event the mains plug has to be removed/replaced for any reason, please note:

The wires in the mains lead on this appliance are coloured in accordance with the following code:

Green and Yellow	-	Earth
Blue	-	Neutral
Brown	-	Live



THIS APPLIANCE MUST BE EARTHED

As the colours may not correspond with the markings identifying the terminals in your plug proceed as follows.

- The green and yellow earth wire must be connected to the terminal in the plug which is marked with the letter E or with the earth symbol \perp
- The blue wire must be connected to the terminal marked N
- The brown wire must be connected to the terminal marked L

Important - any cut off plug should be disposed of safely to prevent hazard. There is a danger of electric shock if a cut off plug is inserted into a socket outlet.

APPLIANCE DATA

- Supply Voltage: AC 220-240V, 50Hz
- Rated Power: 2000W
- Fuse Rating: 13 AMP
- Lighting: 2 x 40W SES/E14 (small screw cap) candle bulbs

CONFORMITY WITH DIRECTIVES

Conforms with relevant European Directives

This electric fire has been tested by TÜV Rheinland Group, a global leader in independent testing and assessment services.

ENVIRONMENTAL PROTECTION

- (WEEE) Waste Electrical and Electronic Equipment

Waste electrical products should not be disposed of with household waste. Please recycle where facilities exist. Check with your Local Authority or retailer for recycling advice.

- This appliance complies with the RoHS directive which restricts the use of certain hazardous substances in electrical and electronic equipment.

This Directive bans the placing on the EU market of new electrical and electronic equipment containing more than agreed levels of lead, cadmium, mercury, hexavalent chromium, polybrominated biphenyl (PBB) and polybrominated diphenyl ether (PBDE) flame retardants.



Adam Fires and Fireplaces are part of the FiredUp Corporation.

Customer telephone helpline: 08448 809301
Helpline email address: helpline@adamsurrounds.co.uk